

COBRA

MODEL: S3840V (DYM420101)

COBRA LAWN SCARIFIER/AERATOR OWNER'S MANUAL



WARNING!

When using the machine the safety rules must be followed. For your own safety and bystanders please read these instructions before operating the machine. Please keep the instructions safe for later use.

Cobra Garden Machinery

Henton and Chattell Ltd., London Road, Nottingham NG2 3HW UK

www.cobragarden.co.uk


LAWN SCARIFIER/AERATOR INTENDED USE

The lawn scarifier is intended for non-commercial use, i.e. for use in home and gardening environments. The scarifier is designed for extracting moss and weeds out of the soil and for loosening the soil.

Scarifying your lawn will help nutrients be better absorbed, promote healthy root and plant growth. It is recommended to scarify your lawn in the spring and autumn for best results.

The aerator attachment scores the surface of the lawn, helping water to drain off more easily as well as promoting oxygen intake. Aeration may be completed throughout the growing period, but avoiding dry periods.

This machine is designed for the homeowner to scarify small-scale, residential lawns and gardens. Public facilities, sporting halls, and agricultural / forestry applications are excluded. The operating instructions as supplied by the manufacturer must be kept and referred to in order to ensure that the equipment is properly used and maintained. The instructions contain valuable information on operating, maintenance and servicing conditions.

 **Warning!** :Always clear twigs, stones, hedge clippings, branches and other debris from the lawn before operating. The rotating action of the scarifier may cause debris to be ejected from the machine.

Do not use the equipment as a power cultivator to level areas of lawn. Do not attempt to flatten mole hills with the machine. The scarifier should not be used as a drive unit for other equipment or tools.

Please note that the scarifier has not been designed for use in commercial, trade or industrial applications. Our warranty will be voided if the machine is used in commercial, trade or industrial businesses or for equivalent purposes.

CONTENT

SECTION 1 SYMBOLS MARKED ON THE PRODUCT	4
SECTION 2 GENERAL SAFETY RULES.....	5
SECTION 3 GENERAL IDENTIFICATION	10
SECTION 4 TECHNICAL DATA	10
SECTION 5 ASSEMBLY	11
SECTION 6 ADJUSTING THE WORKING DEPTH	14
SECTION 7 OPERATING INSTRUCTION	15
SECTION 8 REPLACEMENT OF THE ROLLER.....	16
SECTION 9 CLEANING AND MAINTENANCE	17
SECTION 10 STORAGE AND TRANSPORT.....	18
SECTION 11 TROUBLESHOOTING.....	18
SECTION 12 WARRANTY	19
SECTION 13 ENVIRONMENTALLY FRIENDLY DISPOSAL	19
SECTION 14 EC-DECLARATION OF CONFORMITY	20

1. SYMBOLS MARKED ON THE PRODUCT



Read this instruction book carefully before using the lawn mower and keep it in a safe place for future reference.



Keep bystanders away.



Beware of sharp blades. Blades continue to rotate after the motor is switched off.



Switch off isolator key before adjusting, cleaning and before leaving the product unattended for any period.



The charger is intended for indoor use only.



Wear hearing and eye protection



The machine is protected against ingress of water drops from a vertical direction



Do not expose to rain or damp conditions.



Do not operate on inclines greater than 15°. Mow across the face of slopes, never up and down.



Electric shock hazard.



Wait until all machine components have completely stopped before touching them.

CE Marking

The product meets demands and regulations set by the European Community.



WEEE Marking

CAUTION! Unusable power tools do not belong with domestic waste. They must be taken to a communal collecting point for environmentally friendly disposal in accordance with local regulations.

Battery Disposal:

Old Accumulators and batteries must not be added to household waste, but should be disposed of in accordance with the applicable legislation.

Take unusable rechargeable batteries to the dealer's or community's battery collection point.

Disposing of the packaging:

The packaging is made of cardboard and separately labeled foil which is also recyclable.

Take these materials to a recycling centre.

Disposing of the packaging:

The packaging is made of cardboard and separately labeled foil which is also recyclable. Take these materials to a recycling centre.

Battery packs/batteries:



Li-ion

Do not dispose of batteries into household waste, water or fire. Battery packs/batteries must be collected, recycled or disposed of in an environmentally -friendly way.

Only for EC countries:

Defective or dead batteries must be recycled according to the directive 2006/66/EC



Noise level marking

Your tool noise is not more than 92dB.



SAFETY ALERT SYMBOL: Indicates caution or warning may be used in conjunction with other symbols or pictures.

2. GENERAL SAFETY RULES

2.1 General safety regulations for this electrical tool

- The equipment should never be allowed to be used by children, persons with reduced physical, sensory or mental capacities or insufficient experience and knowledge, or persons who are not familiar with the instructions.
- Children should be supervised so that they do not play with the equipment. Children are not allowed to carry out the cleaning or maintenance.

2.2 Safety information for scarifiers and aerators

- Check the equipment for damage each time before use. The equipment must never be used if damaged and must be placed out of service until completion of repairs by an authorized repair specialist.
- If the equipment vibrates excessively during operation, switch it off immediately and pull-out the

on-off button. Tilt the equipment and examine the scarifier and aerator roller for anything which may have caused imbalance and remove it if necessary -always wear heavy duty gloves whilst completing this work to protect yourself against injury. If this is not the cause have the equipment repaired by an authorized specialist reparer.

- Or examine the equipment for damage and carry out any necessary repairs to damaged parts. And examine the equipment for loose parts and ensure they are tightened securely.
- Both hands must be on the handle when you start the equipment, and the equipment must be stood on the ground and must not be tilted.
- Safety components must be checked each time before use and must be replaced by an authorized service agent if damaged.

WARNING:

Do not touch the spring tines / aeration blades before the equipment is disconnected from the power supply and the rotating spindle has reached a complete standstill.

Always disconnect from the power supply (e.g. pull out the on-off button).

- Whenever you leave the equipment unattended.
- Before unblocking a blocked tool.
- Before checking, cleaning or carrying out any other work on the equipment.
- If a foreign body has been struck and/or whenever the equipment vibrates abnormally examine immediately. Disconnect the power first.

2.3 Starting up safely for scarifiers and aerators

2.3.1 Instruction

- Read the instructions carefully. Familiarize yourself with the operator controls and proper use of the equipment.
- Never allow children or anyone who is not familiar with these instructions to use the equipment. Local regulations may set minimum age requirements for the user.
- It should be noted that the user of the equipment is personally responsible for accidents or hazards involving other persons or their property.

2.3.2 Preparation

- Always wear ear protection and protective goggles when using the equipment.
- Always wear sturdy, non-slip footwear and long trousers when using the equipment. Never use the equipment barefoot or in sandals. Avoid wearing loosely fitting clothes or clothing with hanging belts or ties.
- Carefully check the ground on which the equipment will be used and remove all objects that could be caught up by the equipment and projected out.
- Only use the equipment in the recommended position and only on a firm, level surface.
- Do not use the equipment on paved or graveled surfaces where material that could be projected out and cause injuries or damage.
- Before switching on the equipment, always check all screws, nuts bolts and other fastenings to ensure that they are secure and that all safety devices and protective features are in position. Worn or damaged stickers must be replaced.
- Never use the equipment in the direct vicinity of persons – especially children or animals.

2.3.3 Operation

- Work only in broad daylight or in well-lit conditions.
- Do not use the equipment on wet grass.

- Always maintain a good footing, especially on inclines.
- Walk, do not run.
- Always guide the equipment across slopes, i.e. never straight up or straight down.
- Be particularly careful when you change direction on a slope.
- Do not scarify or aerate on overly steep inclines.
- Be particularly careful when you turn the equipment around or pull it toward yourself.
- Stop the blades whenever the machine has to be tilted for transporting over areas other than lawns and whenever it has to be moved from or to the area you want to work on.
- Never use the equipment if the safety devices or safety features are damaged, or without the attached safety devices, e.g. deflectors and/or catcher baskets.
- Start the motor with caution in accordance with the operating instructions and ensure that your feet are far enough away from the blades/spring tines.
- Do not tilt the equipment when you start the motor unless the equipment must be raised off of the ground a little in order to start it. In this case, tilt it as little as absolutely necessary and only raise the side opposite to that of the user. Always make sure that both hands are in the working position before the equipment returns to the ground.
- Never transport the equipment while the drive is running.
- Never move your hands or feet toward or under any rotating parts. Keep clear of the chute opening at all times.
- Switch off the motor and pull the on-off button. Make sure that all moving parts have reached a complete standstill:
 - 1) whenever you leave the equipment unattended;
 - 2) before you remove any blockages or clogs in the chute;
 - 3) before carrying out any checks, cleaning or other work on the equipment;
 - 4) after the equipment strikes a foreign body. Inspect the equipment for damage and carry out any necessary instructions repairs before you restart and use the equipment;
 if the equipment begins to experience exceptionally strong vibrations, switch it off immediately and check it;
 - 5) search for damage;
 - 6) repair the damaged parts as required;
 - 7) examine the equipment for loose parts and tighten them securely.

Never operate the equipment in poor weather conditions, especially if there is a risk of lightning. Avoid abnormal working postures and always keep your balance so that you maintain a steady foothold on inclines at all times.

 **WARNING:**

Do not touch any dangerous moving parts before you have pulled out the safety plug and the dangerous moving parts have come to a complete standstill.

 **WARNING:**

Risk of injury from dangerous moving parts!

2.3.4 Maintenance and storage

- Make sure that all nuts, bolts and screws are tightened securely and that the equipment is in a safe working condition.
- Routinely check the catch basket for signs of wear and impaired functionality.

- For your own safety, replace worn or damaged parts without delay.
- Remember that on equipments with blades or spring tines, the movement of one unit may result in the other element starting to rotate.
- While you are adjusting the equipment, take care not to jam your fingers between moving blades/spring tines and stationary parts of the equipment.
- Allow the motor to cool before you put the equipment away for any extended period of time.
- While you are carrying out maintenance work on the blades/spring tines, it is important to remember that the blades can still be moved even if the drive has been switched off.
- For your own safety, replace worn or damaged parts without delay. Use only original replacement parts and original accessories.
- If the equipment is stopped for maintenance, inspection or storage purposes or in order to replace an accessory, you must switch off the drive, pull the safety plug from the equipment and make sure that all moving parts have come to a complete standstill. Allow the equipment to cool before carrying out any inspections, adjustment, etc. Treat the equipment with care and keep it clean.
- keep the equipment where it is out of children's reach.

Service

Have your power tool repaired only by trained personnel using only genuine replacement parts. This will ensure that your power tool remains safe to use.

CAREFUL HANDLING AND USE OF CORDLESS EQUIPMENT

- Ensure that the equipment is switched off before you insert the battery. Inserting a battery into an electric tool that is switched on can cause accidents.
- Only charge the batteries in chargers that are recommended by Cobra. A charger that is designed for a certain type of batteries may pose a fire risk if it is used with other types of batteries.
- Use only the correct batteries in the electric tools. The use of other batteries may result in injuries and a fire risk.
- Keep unused batteries away from paper clips, coins, keys, nails, screws and other metallic objects that could cause a short circuit between the contacts. A short circuit between the battery contacts may cause burns or a fire.
- In case of incorrect use, fluid may escape from the battery. Avoid contact with it. If you touch it by mistake, rinse the affected area with water. If you get the fluid in your eyes, also seek medical advice. Leaking battery fluid can cause skin irritation or burns.

Additional safety instructions

Cobra design every battery pack to ensure that we supply you with batteries which feature maximum power density, durability and safety. The battery cells have a wide range of safety devices. Despite all the safety precautions, caution must always be exercised when handling batteries. The following points must be completed at all times to ensure safe use. Safe use can only be guaranteed if undamaged cells are used. Incorrect handling can cause cell damage.

Important: Incorrect use and poor care are the main causes of the damage caused by high performance batteries.

Safety Advice for Rechargeable Battery and Charger

Use only the battery provided with the scarifier and the provided charger. Protect the battery and battery charger from humidity.

Do not operate the battery charger outdoors.

When it is not in use or before cleaning and servicing, disconnect the battery charger from the power supply.

Take special care of the battery.

Avoid dropping it onto any hard surface and do not subject it to pressure or any other form of mechanical stress.

Keep the battery away from extreme heat and cold.

Do not open or attempt to repair the battery or the battery charger. If any parts are defective, have them repaired by a qualified technician or send them to our service department for repair.

Only charge the battery at an ambient (surrounding air) temperature between 0°C and +50°C.

A charged battery can be used to power the machine under ambient temperature conditions between -20°C and +70°C.

When not in use, store the battery in a dry place between 10°C and 30°C.

The battery should be recharged when it fails to produce sufficient power on jobs which were easily done previously. DO NOT CONTINUE using product with its battery in a depleted condition.

The battery is not fully charged at the factory. Before attempting to use it, it must be fully charged firstly.



Important! Danger!

Never short-circuit the battery or expose it to moisture. Do not store it together with any metal parts which could short-circuit the contacts. The battery could overheat, start burning or explode. If any person comes into contact with acid or similar internal fluids or substances contained in the battery, wash off these substances immediately with plenty of water. If these substances make contact with the eyes, rinse with plenty of water and seek medical assistance immediately.



WARNING:

Do not open the battery pack to get the battery out by yourself.

Do not place the rechargeable battery into fire or water. It can explode. The Rechargeable Battery should not be discarded to domestic refuse, regardless of whether used or unused. You should return it to a local battery collection point in accordance with Battery Regulations or return them to us suitably marked "Used Battery".

3. GENERAL IDENTIFICATION



Fig.1

- | | | |
|--------------------------|-------------------|-----------------|
| 1. Upper handle | 2. On-off button | 3. Switch box |
| 4. Locking Lever | 5. Grass catcher | 6. Cable clamp |
| 7. Depth adjusting knob | 8. Battery door | 9. Rear cover |
| 10. Lower handle | 11. Middle handle | 12. LED display |
| 13. Brake control handle | | |

4. TECHNICAL DATA

Model	S3840V (DYM420101)
Rated Voltage	40V dc
No Load Speed	3200min ⁻¹
Grass catcher capacity	45L
Working Width	380mm
Net weight	14.5kg
Depth adjustment	-10-+5mm

Model	S3840V (DYM420101)
Sound pressure level at the operator's position	77.6dB(A) K=3 dB(A)
Measured sound power level	89dB(A) K=2.46dB(A)
Guaranteed sound power level	92dB(A)
Vibration	0.98m/s ² K=1.5 m/s ²

Battery	Lithium-ion					
Model number	DYMA71E	DYMA72E	DYMA84	DYMA81	DYMA151	DYMA154
Rated voltage	40Vd.c.	40Vd.c.	40Vd.c.	40Vd.c.	40Vd.c.	40Vd.c.
Capacity	108Wh	144Wh	144Wh	90Wh	90Wh	144Wh
Number of battery	20pcs	20pcs	20pcs	10pcs	10pcs	20pcs

Battery charger				
Model number	DYMA73E	DYMA82	DYMA83	DYMA85
Input	220-240V~, 50Hz,1A	220-240V~, 50Hz, 0.6A	220-240V~, 50Hz,1A	220-240V~, 50Hz,2A
Output	40Vd.c,2A	40Vd.c.,1A	40Vd.c.,2A	40Vd.c.,4A
Allowable charging temperature range	0-50°C	0-50°C	0-50°C	0-50°C

5. ASSEMBLY

5.1 ASSEMBLE THE HANDLE

1. Insert the lower handle into the brackets(Fig.2A).
2. Fix the lower handle into the unit body with locking levers, bolts and washers (Fig.2B).
3. Connect the middle handle and the lower handle with locking levers, bolts and washers (Fig.2C)
4. Connect the upper handle and the middle handle with locking levers, bolts and washers (Fig.2D)
5. Attach the cable clamp to the position shown and then attach the cable. (Fig.2E)

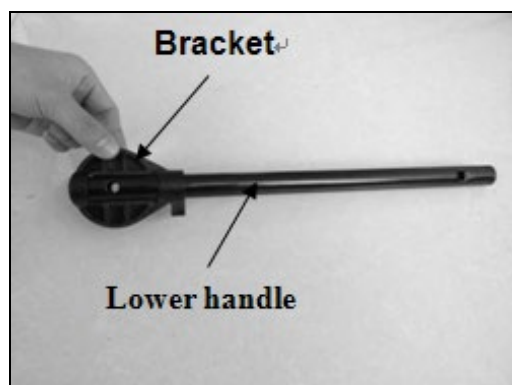


Fig.2A



Fig.2B



Fig.2C



Fig.2D

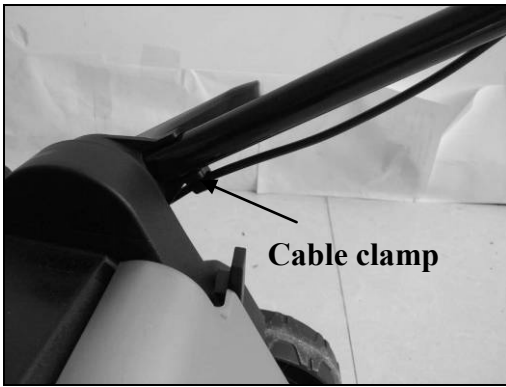


Fig.2E

5.2 ASSEMBLE THE OPTIONAL GRASS CATCHER

1. Push both metal frame parts into each other .(Fig.2F)
2. Pull the cloth bag over the metal frame. (Fig.2G)
3. Pull the rubber clips over the metal frame. (Fig.2H)

To fit: Raise the rear cover and hitch the grass catcher on rear of mower. (Fig.2I/Fig.2J/Fig.2K).

To remove: Grasp and lift the rear cover, remove grass catcher.

⚠WARNING: Before you fit the grass catcher to the scarifier you must ensure that the motor is switched off and the cutting unit is not rotating.

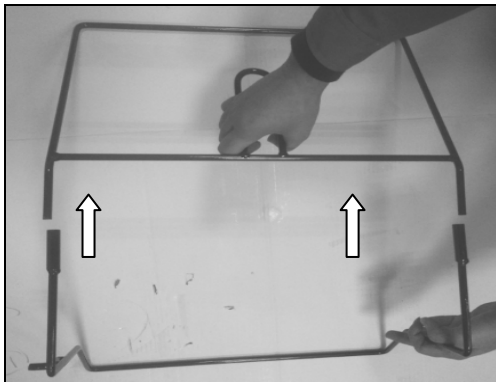


Fig.2F

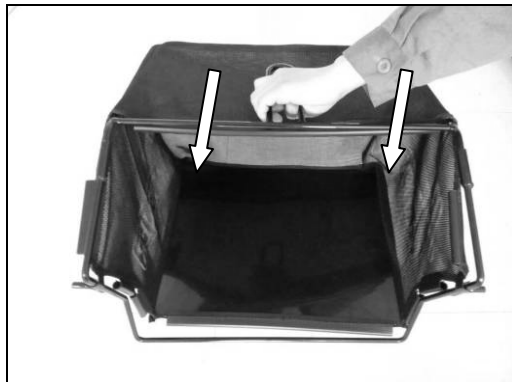


Fig.2G

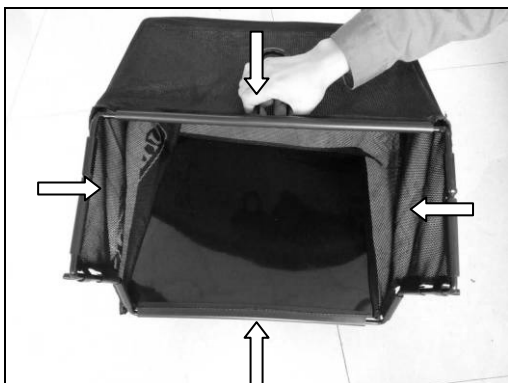


Fig.2H



Fig.2I



Fig.2J



Fig.2K

5.3 INSTALLING THE BATTERY

Please Note: Fully charge the battery before using for the first time.

1. Make sure the On-off button is pulled out. (Fig. 2L)
2. Open the battery door. (Fig. 2M)
3. Insert the battery pack into battery holder (Fig. 2N).
4. Make sure the latch on bottom of battery pack snaps in place and that battery pack is fully seated.
5. Close the battery door (Fig.2O).



Fig.2L



Fig.2M



Fig.2N



Fig.2O

5.4 REMOVE THE BATTERY

1. Open the battery door.
2. Press and hold the battery latch button at the bottom of the battery pack .(Fig. 2P)
3. Remove battery pack from the product. (Fig. 2Q)

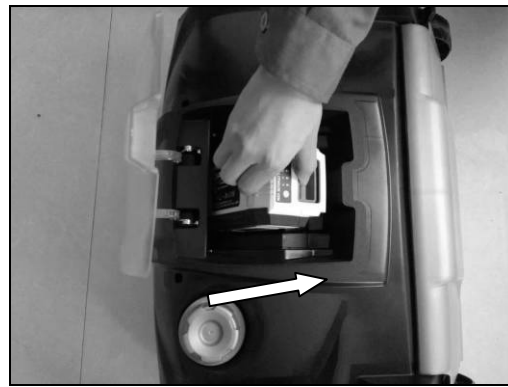
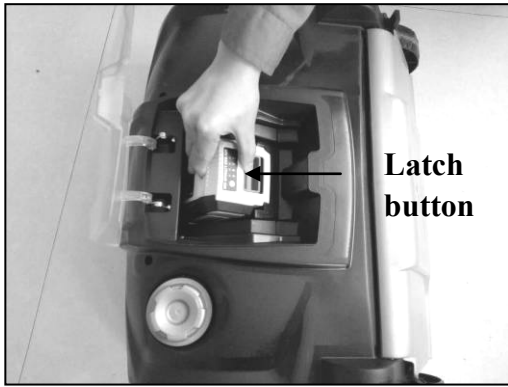
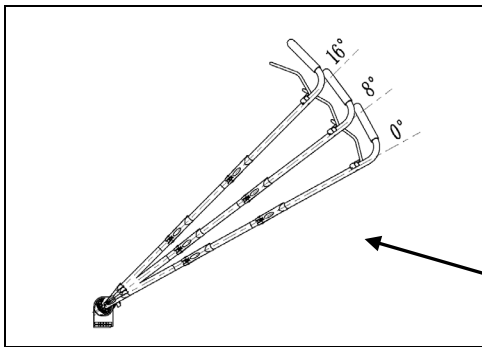


Fig.2P

Fig.2Q

5.5 ADJUSTMENT FOR AN APPROPRIATE HEIGHT

1. Pull the locking lever opening;
2. Rotating the upper handle centered of the angle, adjusting the gear for the appropriate between 0° to 16° as the Fig.2R shown;
3. Push the locking lever closed to connect the lower handle and the unit body.



The angle adjusting gear

Fig.2R

6. ADJUSTING THE WORKING DEPTH

The working depth is set with depth adjusting knob, the depth can be adjusted from -10mm to +5mm. (Fig.3A/ Fig.3B)

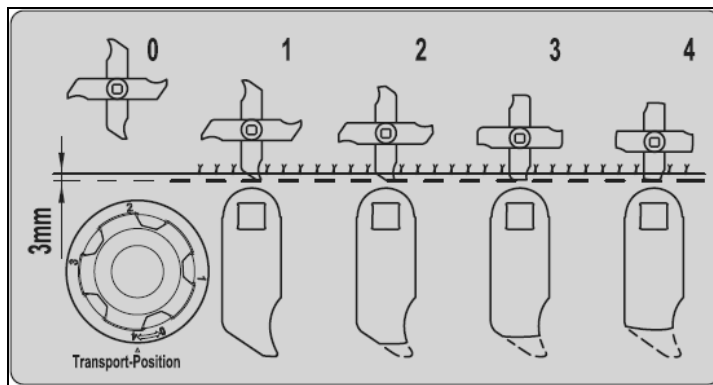
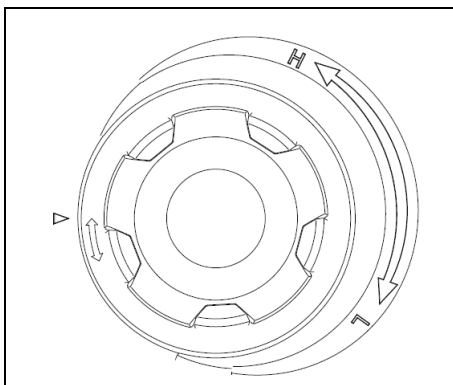


Fig.3A

Fig.3B

! WARNING: Make this adjustment only when the blade has stopped.

7. OPERATING INSTRUCTIONS

7.1. STARTING

Insert the On-off button. (Fig.4A)

Start the motor as follows :

1. Press the On-off button. (Fig.4B)
2. And grasp the brake control handle and keep it held in. (Fig.4C).
3. After the motor is running, then release the On-off button (Fig.4D).
4. Releasing the brake control handle will stop the motor.



Fig.4A



Fig.4B

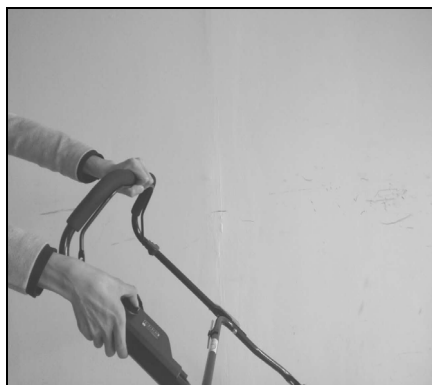


Fig.4C



Fig.4D

⚠ CAUTION! The blade starts turning as soon as the motor is started.

⚠ WARNING! Cutting elements continue to rotate after the motor is switched off.

7.2. LED

Please refer to the following table for the meaning of LED display.(Fig.4E)

Lawn mower status	Battery pack capacity indicator status(Press "POWER" button (1))
	Green light (2)
The battery pack capacity is between 75%~100%.	Four LEDs ON
The battery pack capacity is between 50%~75%.	Three LEDs ON
The battery pack capacity is between 25%~50%.	Two LEDs ON
The battery pack capacity is between 0%~25%.	One LED ON

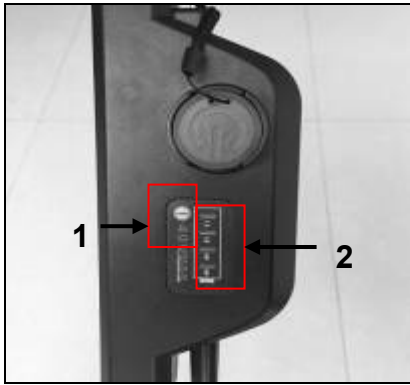


Fig.4E

7.3. RECOMMENDED TIPS FOR SCARIFYING

It is recommended that you overlap scarifying paths a little.

Try to scarify in straight lines for a nice, clean look. In so doing, the aeration swaths should always overlap each other by a few centimeters in order to avoid bare strips.

If you use the grass catcher which is available as an option, it should be emptied as soon as moss/debris clippings start to trail behind during scarifying.

Danger! Before taking off the grass catcher, switch off the motor and wait until the blade/spring tines come to a stop.

To remove the grass catcher, lift up the rear cover with one hand, while unhooking the grass catcher with the other.

How frequently you should scarify your lawn is determined primarily by the condition of the lawn and soil. Keep the underside of the equipment clean and remove soil and grass build-up. Deposits make it more difficult to start the aerator and decrease the quality of the scarifying.

Always scarify along inclines (not up and down).

Switch off the motor before doing any checks on the blades/spring tines.

Danger!

The blades rotate for a few seconds after the motor is switched off. Never attempt to stop the blades. In the event that the rotating blades strike an object, immediately switch off the equipment and wait for the blades to come to a complete stop. Then inspect the condition of the blades/tines.

Always follow these safety instructions and notes on working practice.

8. REPLACEMENT OF THE BLADES & SPRING TINES



WARNING: Be sure to wear work gloves.

The equipment can be assembled with the scarifying assembly or the aerator attachment.

Only replace the roller with an original Cobra assembly, as this will ensure top performance and safety under all conditions.

To change the scarifying tines or the aerator assembly (part number 2425200001), proceed as follows.

Remove the roller

1. Remove the two screws. (Fig.5A)
2. Lift the roller on this side and pull out in the direction of the arrow. (Fig.5B)

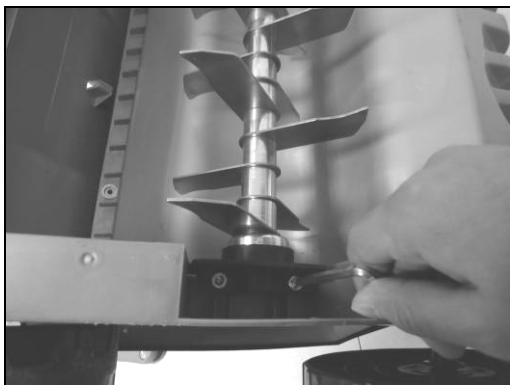


Fig.5A

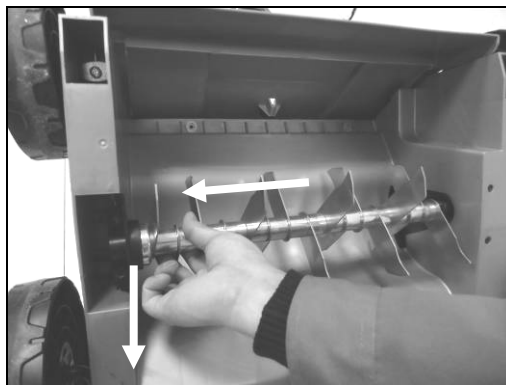


Fig.5B

Fit the Assembly – Remove the battery first

1. Slide the assembly in the direction of the arrow onto the square-ended drive and press into the holder (Fig.5C/ Fig.5D).

2. Refasten the assembly with the two screws.

Apply grease to the square-ended drive from time to time so that the assembly can be changed easily.



Fig.5C



Fig.5D

! WARNING: Remove the battery from the machine.

9. CLEANING AND MAINTENANCE

! DANGER: Always pull out the on-off button and remove the battery before performing any adjustment, repair, maintenance or cleaning work on the equipment. Make sure that the cutting assembly is not rotating.

9.1 Cleaning

- Keep all safety devices, air vents and the motor housing free of dirt and dust as far as possible. Wipe the equipment with a clean cloth or blow it with compressed air at low pressure.
- We recommend that you clean the device immediately each time you have finished using it.
- Clean the equipment regularly with a moist cloth and some soft soap. Do not use cleaning agents or solvents; these could attack the plastic parts of the equipment. Ensure that no water can seep into the device. The ingress of water into an electric tool increases the risk of an electric shock.

9.2 Maintenance

- A worn out or damaged cutting unit should be replaced by an authorised expert.
- Take care that all fastening elements (screws, nuts, etc.) are firmly tightened, so that you can work safely with

the scarifier and aerator.

- Store the scarifier and aerator in a dry place.
 - For longer life, all screw-fastened parts, such as wheels and axles should be cleaned and subsequently oiled.
 - Regular servicing of the scarifier and aerator not only secures longer life and performance, but ensures accurate and optimum scarification of your lawn.
 - At the end of the season, carry out a general check of the scarifier/aerator, and remove all residue collected.
- Before the start of every season, it is absolutely necessary to check the state of the scarifier / aerator. Contact your local Cobra repair agent if repair work is necessary.

10. STORAGE AND TRANSPORT

Storage

Store the equipment and accessories out of children’s reach in a dark and dry place which is frost protected. The ideal storage temperature is between 5 and 30°C. Store the machine in its original packaging.

Transport

- Switch the machine off and remove the battery before transporting it.
- Fit the shipping protectors if any.
- Protect the machine from damage and the strong vibrations that can occur particularly when transporting in vehicles.
- Secure the machine against slipping and tipping over.

11.TROUBLESHOOTING

Fault	Possible causes	Rectification
Motor does not start.	<ul style="list-style-type: none"> a) Internal terminals disconnected. b) Safety lock-off defective. c) Blades/tines housing clogged. d) On-off button is not connected. e) Battery is not correctly inserted. 	<ul style="list-style-type: none"> a) See your local Cobra dealer. b) See your local Cobra dealer. c) Change the Scarifier/aerator depth if necessary and clean the housing. d) Connect On-off button. e) Remove battery and insert again.
Motor performance drops.	<ul style="list-style-type: none"> a) Soil is too firm. b) Housing is clogged. c) Blades badly worn. 	<ul style="list-style-type: none"> a) Change working depth. b) Clean housing. c) Replace the blade assembly.
Imprecise working result.	<ul style="list-style-type: none"> a) Blades worn. b) Wrong working depth. 	<ul style="list-style-type: none"> a) Replace assembly. b) Correct working depth.
Motor is running blades are not rotating.	<ul style="list-style-type: none"> a) Toothed belt is torn. 	<ul style="list-style-type: none"> a) See your local Cobra dealer.

Important notice! To protect the motor it is equipped with a thermal overload switch which cuts out when overloaded, release the brake control handle, restart the machine after a short cooling-down period.

12. WARRANTY

This product is warranted in accordance with legal regulations for a 24 month period effective from the date of purchase by the first user.

This product will not be covered if used in a commercial application.

This warranty covers all material or production failures, it does not include: defects from normal wear and tear, parts such as, bearings, brushes, cables, air cleaning elements, brake pad, clutch disc, tyre, wheel, recoil starter rope, belts, cutter blades, plugs, lubricant oils and grease or accessories. Damage or defects resulting from abuse, accidents or alterations, natural fading of painted or plated surfaces, sheet peeling and other natural deterioration.

Any damage that occurs from the use of non-genuine Cobra parts will not be covered.

We reserve the right to reject any claim where the purchase cannot be verified or when it is clear that the product was not maintained properly. (Clean ventilation slots, carbon brushes and serviced regularly)

Expenses incidental to the warranty claim that are not covered;

-Compensation for loss of time, commercial loss or rental costs of substitute product.

-Costs incurred for transportation to and from the dealership.

Any damage that occurs from the following will not be covered; exposure of the product to smoke and soot, chemical agents, bird droppings or other animal waste, seawater, sea breeze, salt or other environmental phenomena.

Any damage resulting from operating methods other than those indicated in the owner's manual will not be covered.

Your purchase receipt must be kept as proof for date of purchase. Your un-dismantled Cobra must be returned to your dealer in an acceptably clean state, accompanied by your proof of purchase.

Please Register Your Cobra

Please take a few minutes and register your purchase with Cobra. You can register by completing the registration by going online to:


www.cobragarden.co.uk and clicking on Product Registration.

13. ENVIRONMENTALLY FRIENDLY DISPOSAL



According to EU directive 2012/19/EU on electric and electronic equipment and its implementation into national law, all electric tools must be separately collected and environmentally friendly recycled. Alternative disposal: If the owner of the power tool does not return the tool to the manufacturer, he is responsible for proper disposal at a designated collection point that prepares the device for recycling according to national recycling laws and regulations. This does not include accessories and tools without electric or electronic components.

14. EC-DECLARATION OF CONFORMITY

EC Declaration of Conformity	
We herewith declare,	Cobra Garden Machinery Henton & Chattell Ltd, London Road, Nottingham NG2 3HW UK
That the following machine complies with the appropriate basic safety and health requirements of the EC Directive based on its design and type, as brought into circulation by us.	
In case of alteration of the machine, not agreed upon by us, this declaration will lose its validity	
Product	Cordless Lawn Scarifier And Aerator
Machine Type	S3840V (DYM420101)
Rated voltage/power	40V d.c.
Measured sound power level	89dB(A)
Guaranted sound power level	92dB(A) Notified Body for EC Directive 2000/14/EC:0036 TüV SüD Industrie Service GmbH Westendstrasse 199 . 80686 München . Deutschland
Applicable EC Directives:	2014/30/EU 2006/42/EC 2000/14/EC 2011/65/EU
Applicable Harmonized Standards	EN 60335-1 EN 50636-2-92 EN 62233 EN 55014-1 EN 55014-2
Authorized Signature/Date/ Place	 Cobra Garden Machinery Henton & Chattell Ltd, London Road, Nottingham NG2 3HW UK 2019-09-23
Title of Signatory	Managing Director
Name and address of the person authorised to compile the technical file	Cobra Garden Machinery Henton & Chattell Ltd, London Road, Nottingham NG2 3HW UK